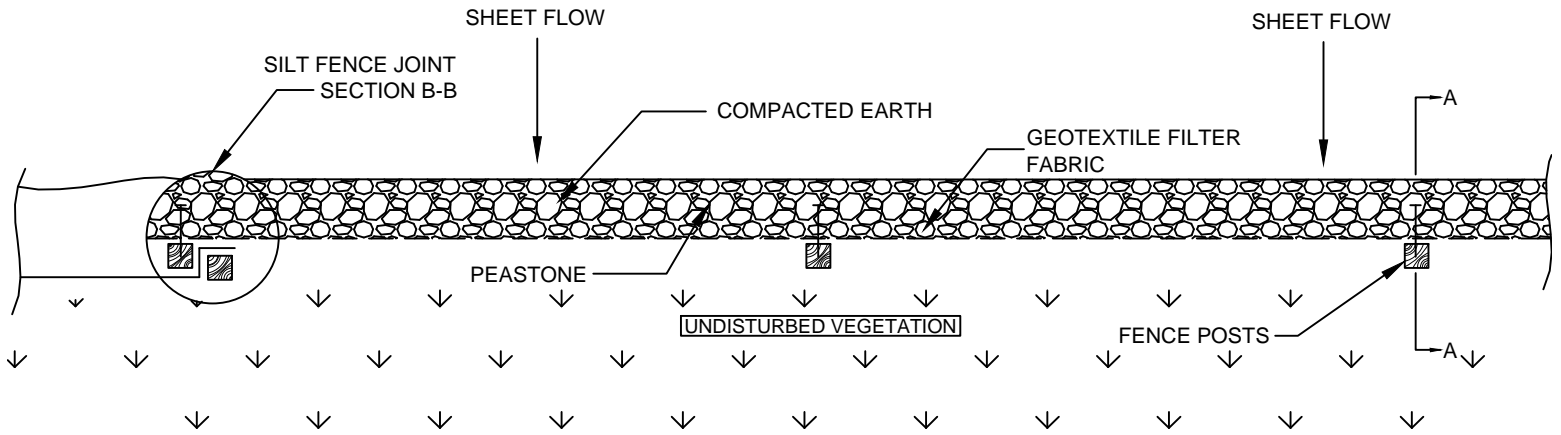
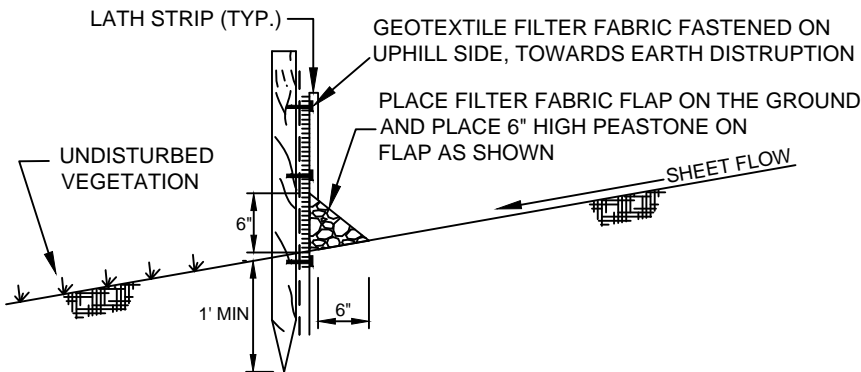
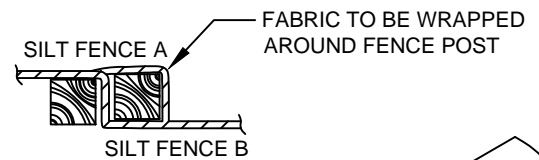
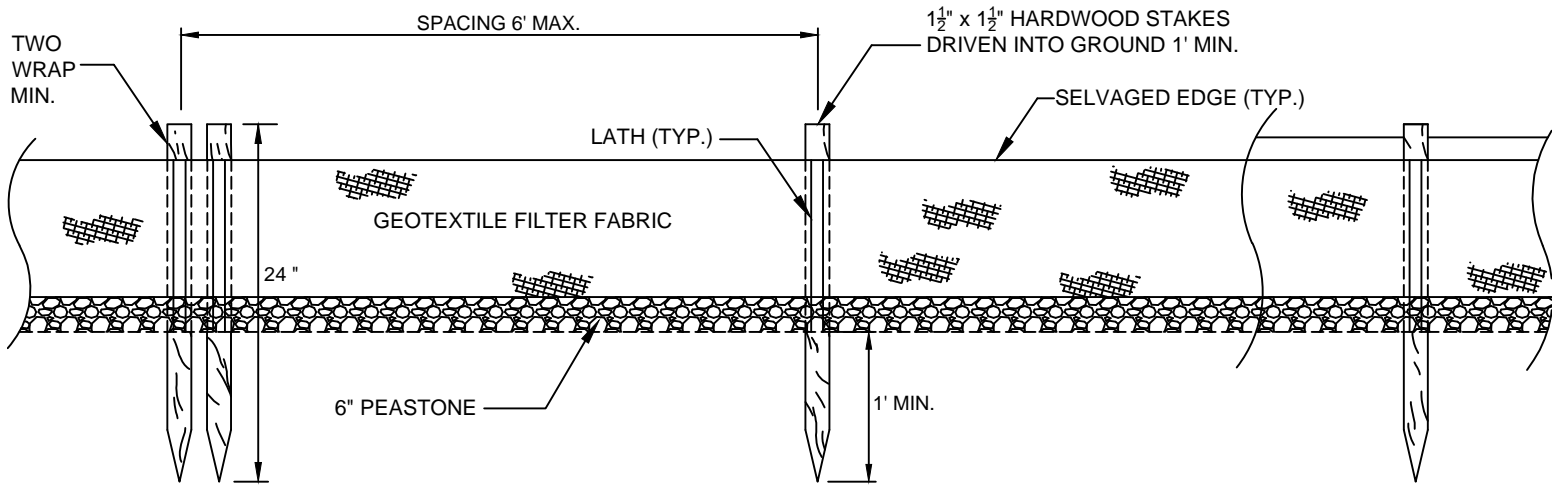


WINTER/FROZEN GROUND SILT FENCE WITHOUT SUPPORT FENCE (SESC-8)

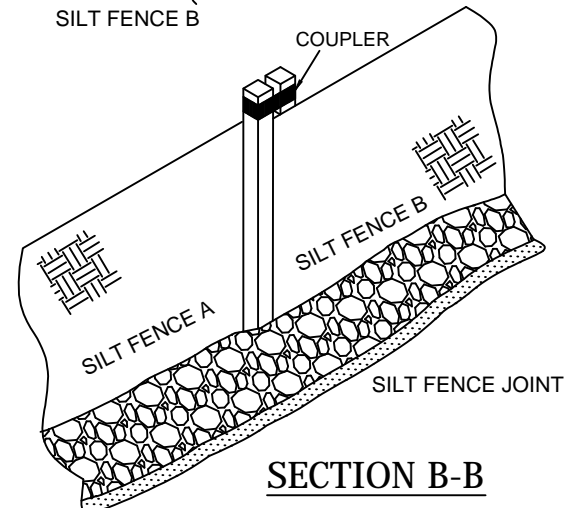
PLAN VIEW



FRONT VIEW



SECTION A-A



SECTION B-B