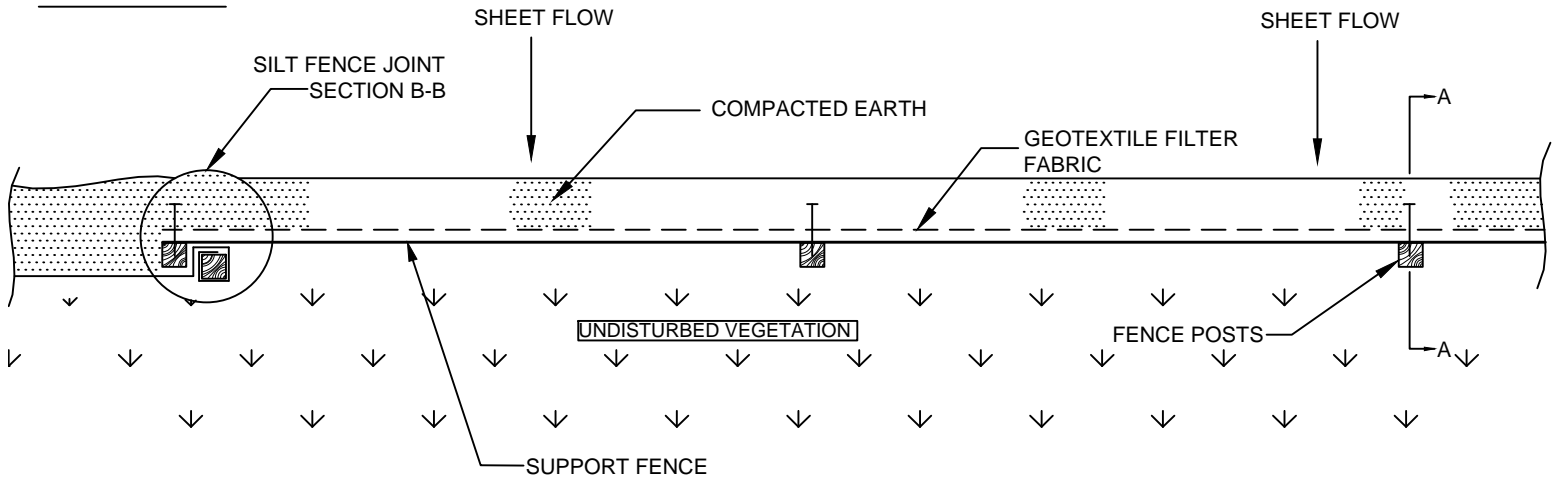
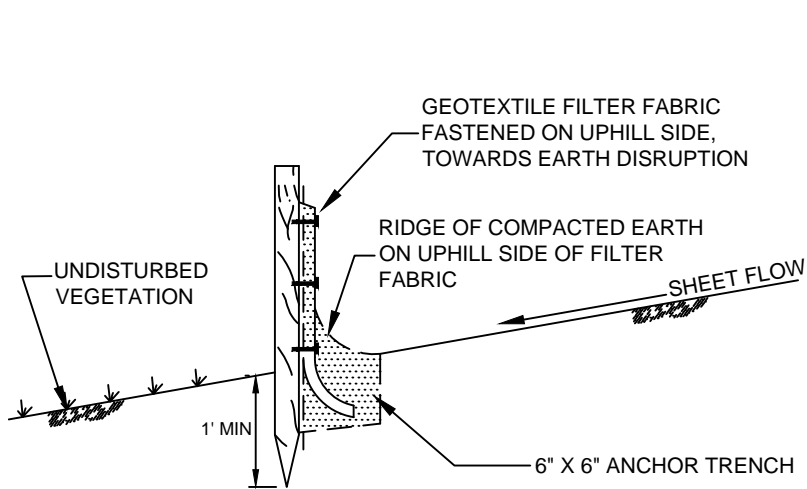
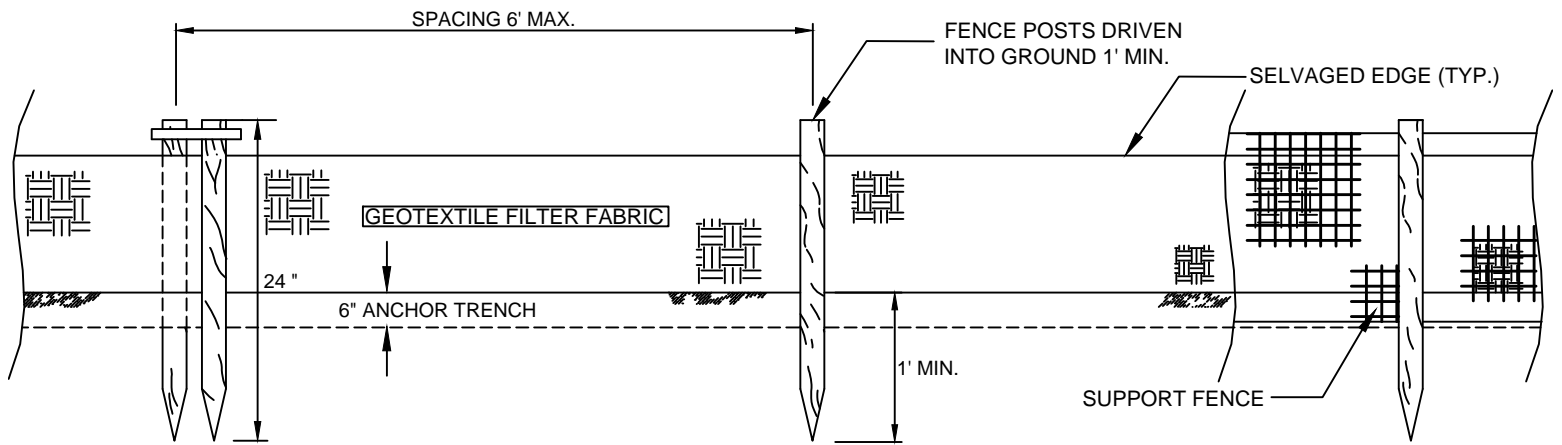


SILT FENCE WITH SUPPORT FENCE (SESC-5)

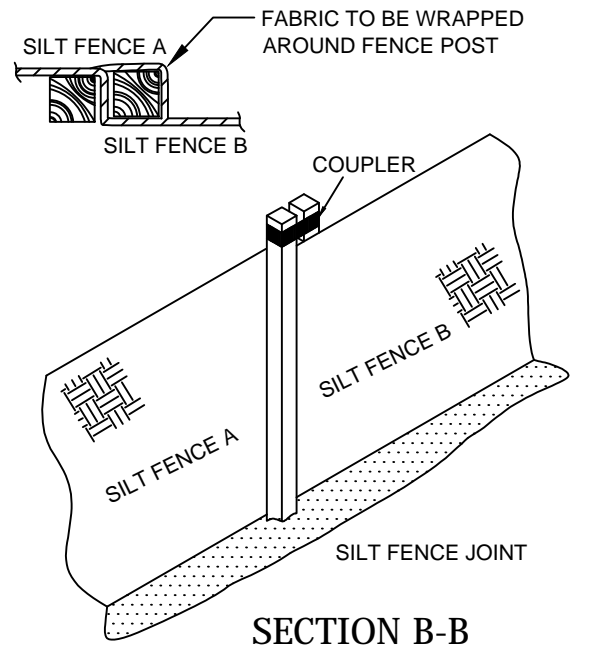
PLAN VIEW



FRONT VIEW



SECTION A-A



SECTION B-B